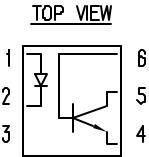
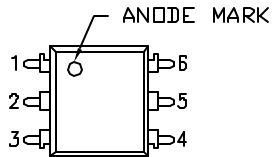
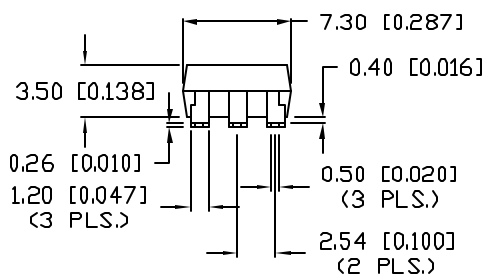
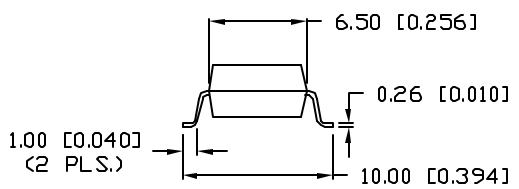


UNCONTROLLED DOCUMENT

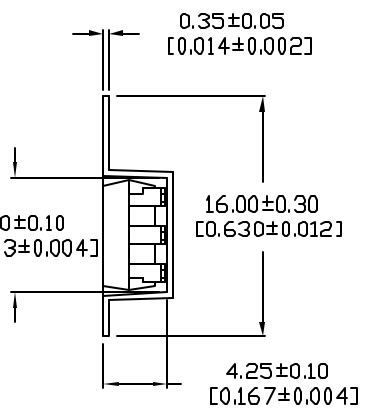
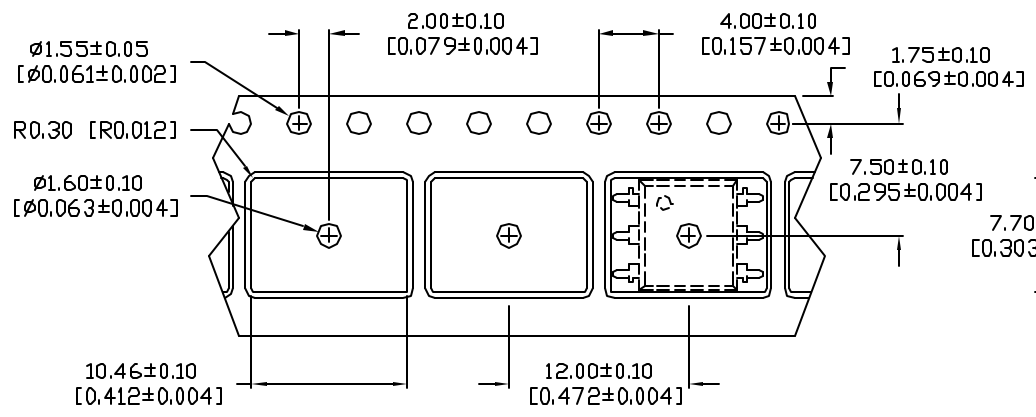
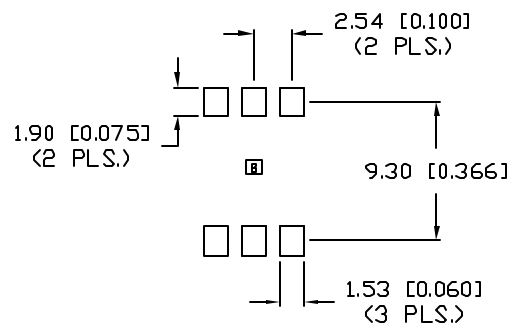
PART NUMBER		REV.
OCP-PCTB116/E-TR		C
REV.	E.C.N. NUMBER AND REVISION COMMENTS	DATE
A	E.C.N. #10BRDR. & #10776.	8.16.01
B	E.C.N. #10815.	12.3.01
C	E.C.N. #11148.	5.16.07



- NOTES:
1. ANODE
 2. CATHODE
 3. NO CONNECT
 4. EMITTER
 5. COLLECTOR
 6. BASE



RECOMMENDED SOLDER PAD LAYOUT



TAPE FEED DIRECTION →

*UNLESS OTHERWISE SPECIFIED TOLERANCES PER DECIMAL PRECISION ARE: X=±1 (±0.039), X.X=±0.5 (±0.020), X.XX=±0.25 (±0.010), X.XXX=±0.127 (±0.005). LEAD SIZE=±0.05 (±0.002), LEAD LENGTH=±0.75 (±0.030), MIN.=^{+DECIMAL PRECISION}-0.00_{-DECIMAL PRECISION} MAX.=^{+0.00}-DECIMAL PRECISION

UNCONTROLLED DOCUMENT

REV.	PART NUMBER
C	OCP-PCTB116/E-TR

CONFIDENTIAL INFORMATION
 THE INFORMATION CONTAINED IN THIS DOCUMENT IS THE PROPERTY OF LUMEX INC. EXCEPT AS SPECIFICALLY AUTHORIZED IN WRITING BY LUMEX INC., THE HOLDER OF THIS DOCUMENT SHALL KEEP ALL INFORMATION CONTAINED HEREIN CONFIDENTIAL AND SHALL PROTECT SAME IN WHOLE OR IN PART FROM DISCLOSURE AND DISSEMINATION TO ALL THIRD PARTIES.



290 E. HELEN ROAD
 PALATINE, IL 60067-6976
 PHONE: +1.847.359.2790
 US WEB: www.lumex.com
 TW WEB: www.lumex.com.tw

SIX PIN SURFACE MOUNT SINGLE CHANNEL PHOTOCOUPLER,
 TRANSISTOR OUTPUT WITH EXTERNAL BASE CONNECTION.

RELIABILITY NOTE
 OUR MANY YEARS OF EXPERIENCE DATA ACCUMULATION INDICATE THAT SOLDER HEAT IS A MAJOR CAUSE OF EARLY AND FUTURE FAILURE. PLEASE PAY ATTENTION TO YOUR SOLDERING PROCESS.

DRAWN BY:	CHECKED BY:	APPROVED BY:	DATE:
JC			9.29.99
			PAGE: 1 OF 2
			SCALE: N/A

UNCONTROLLED DOCUMENT

PART NUMBER		REV.
OCP-PCTB116/E-TR		C
REV.	E.C.N. NUMBER AND REVISION COMMENTS	DATE
	SEE PAGE 1.	

ELECTRO-OPTICAL CHARACTERISTICS (Ta=25°C)							
	PARAMETER	SYMBOL	CONDITIONS	MIN	TYP	MAX	UNITS
I	FORWARD VOLTAGE	V _F	I _F =20mA	-	1.2	1.4	V
	PEAK FORWARD VOLTAGE	V _{FM}	I _{FM} =0.5A	-	-	3.5	V
	REVERSE CURRENT	I _R	V _R =4V	-	-	10	μA
	TERMINAL CAPACITANCE	C _t	V=0, f=1kHz	-	30	-	pF
O	COLLECTOR DARK CURRENT	I _{CEO}	V _{CE} =20V	-	-	10 ⁻⁷	A
T	CURRENT TRANSFER RATIO	CRT	I _F =2mA, V _{CE} =5V	60	-	600	%
	COLLECTOR-EMITTER SATURATION VOLTAGE	V _{CE(sat)}	I _F =20mA, I _C =1mA	-	0.1	0.3	V
	ISOLATION RESISTANCE	R _{ISO}	DC500V	5x10 ¹⁰	10 ¹¹	-	ohm
	FLOATING CAPACITANCE	C _f	V=0, f=1MHz	-	0.6	1.0	pF
	CUT-OFF FREQUENCY	f _c	V _{CE} =5V, I _C =2mA, R _L =100ohm	-	80	-	kHz
	RESPONSE TIME (RISE)	t _r	V _{CE} =5V, I _C =2mA, R _L =100ohm	-	5	20	μS
	RESPONSE TIME (FALL)	t _f	V _{CE} =5V, I _C =2mA, R _L =100ohm	-	4	20	μS


I=INPUT, O=OUTPUT, T=TRANSFER CHARACTERISTICS.

ABSOLUTE MAXIMUM RATINGS (Ta=25°C)				
	PARAMETER	SYMBOL	MAX	UNITS
I	FORWARD CURRENT	I _F	50	mA
	PEAK FORWARD CURRENT	I _{FM}	1	A
	REVERSE VOLTAGE	V _R	6	V
	POWER DISSIPATION	P _D	70	mW
O	COLLECTOR-EMITTER VOLTAGE	V _{CEO}	60	V
	EMITTER-COLLECTOR VOLTAGE	V _{ECO}	6	V
	COLLECTOR-BASE VOLTAGE	V _{CBO}	60	V
	EMITTER-BASE VOLTAGE	V _{EB0}	6	V
	COLLECTOR CURRENT	I _C	50	mA
	COLLECTOR POWER DISSIPATION	P _C	150	mW
	TOTAL POWER DISSIPATION	P _{TOT}	200	mW
	ISOLATION VOLTAGE 1 MIN.	V _{ISO}	5000	V _{RMS}
	OPERATING TEMPERATURE	T _{opr}	-30 TO +100	°C
	STORAGE TEMPERATURE	T _{stg}	-55 TO +125	°C
	SOLDERING TEMPERATURE	T _{sol}	+260	°C
	2.0mm FROM BODY		10 SEC. MAX	

I=INPUT, O=OUTPUT.

*UNLESS OTHERWISE SPECIFIED TOLERANCES PER DECIMAL PRECISION ARE: X=±1 (±0.039), X.X=±0.5 (±0.020), X.XX=±0.25 (±0.010), X.XXX=±0.127 (±0.005). LEAD SIZE=±0.05 (±0.002), LEAD LENGTH=±0.75 (±0.030), MIN. ^{+DECIMAL PRECISION} MAX. = ^{+0.00} _{-0.00} ^{DECIMAL PRECISION}

UNCONTROLLED DOCUMENT

REV. C	PART NUMBER OCP-PCTB116/E-TR	CONFIDENTIAL INFORMATION THE INFORMATION CONTAINED IN THIS DOCUMENT IS THE PROPERTY OF LUMEX INC. EXCEPT AS SPECIFICALLY AUTHORIZED IN WRITING BY LUMEX INC, THE HOLDER OF THIS DOCUMENT SHALL KEEP ALL INFORMATION CONTAINED HEREIN CONFIDENTIAL AND SHALL PROTECT SAME IN WHOLE OR IN PART FROM DISCLOSURE AND DISSEMINATION TO ALL THIRD PARTIES.	 290 E. HELEN ROAD PALATINE, IL 60067-6976 PHONE: +1.847.359.2790 US WEB: www.lumex.com TW WEB: www.lumex.com.tw
SIX PIN SURFACE MOUNT SINGLE CHANNEL PHOTOCOUPLER, TRANSISTOR OUTPUT WITH EXTERNAL BASE CONNECTION.		RELIABILITY NOTE OUR MANY YEARS OF EXPERIENCE DATA ACCUMULATION INDICATE THAT SOLDER HEAT IS A MAJOR CAUSE OF EARLY AND FUTURE FAILURE. PLEASE PAY ATTENTION TO YOUR SOLDERING PROCESS.	DRAWN BY: JC CHECKED BY: APPROVED BY: DATE: 9.29.99 PAGE: 2 OF 2 SCALE: N/A